

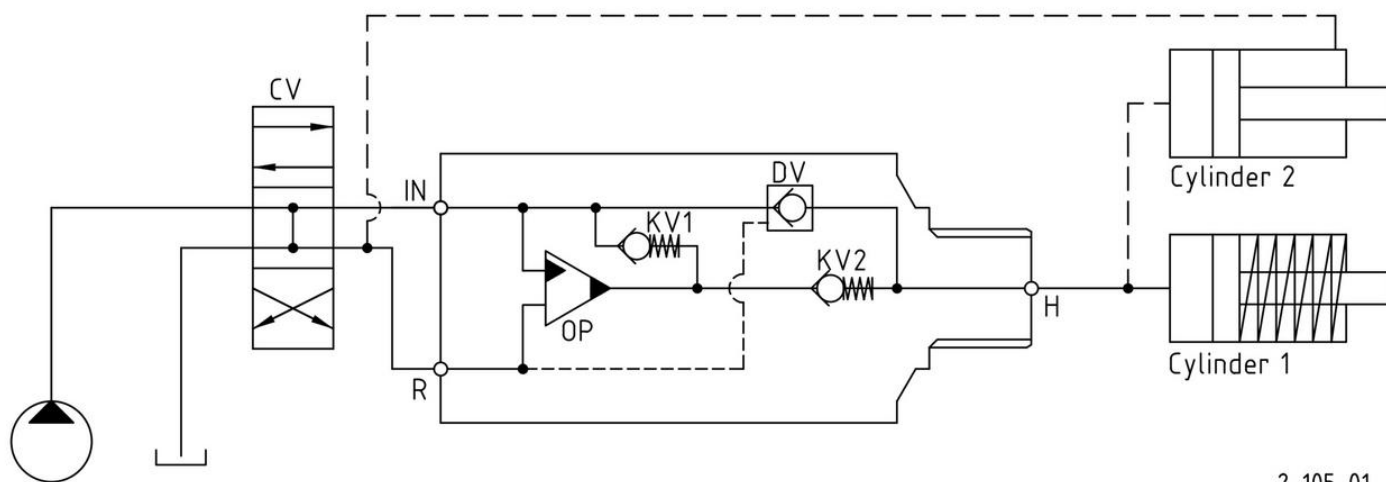


## Functions

The basic operation is illustrated in the function diagram. Oil is fed through the directional valve CV to the IN port, flowing freely through the check valves KV1, KV2 and DV to the high- pressure side H. In this condition maximum flow through the booster is achieved giving a fast-forward function.

When pump pressure is reached on the high- pressure side H, valves KV1, KV2 and DV will close. The end pressure will be achieved by the oscillating pump unit OP. The unit will automatically stall when end pressure on the high- pressure side H is reached. If a pressure drop on the high- pressure side exists due to consumption or leakage, the OP valve will automatically operate to maintain the end pressure.

## Function diagram



## Connection types

Connection	IN / R	H
1	1/4" BSPP	1/4" BSPP
2	7/16-20 UNF	9/16-18 UNF

## Max. tightening torque BSPP

	IN / R	H
	1/4" BSPP	1/4" BSPP
with steel washer	4.0 da/ Nm	4.0 da/ Nm
with aluminium washer	3.0 da/ Nm	–
with cutting edge	4.0 da/ Nm	4.0 da/ Nm

## Max. tightening torque UNF

	IN / R	H
	7/16-20" UNF	9/16-18" UNF
with o- ring	2.0 da/ Nm	3.5 da/ Nm

## Fluids and materials

Please see: General specifications

## Ordering an HC2

Ordering example of an HC2 with  $i = 4.0$  DV incorporated and BSPP connections: HC2 - 4.0 - B - 1

<b>Model</b>	<b>Intensification, <math>i</math></b>	<b>Dump valve</b>	<b>Connections</b>
HC2	your selection...	your selection...	your selection...
	see flow rate table	A = (no) / A model	1
		B = (yes) / B model	2
		G = (proportional) / G model	