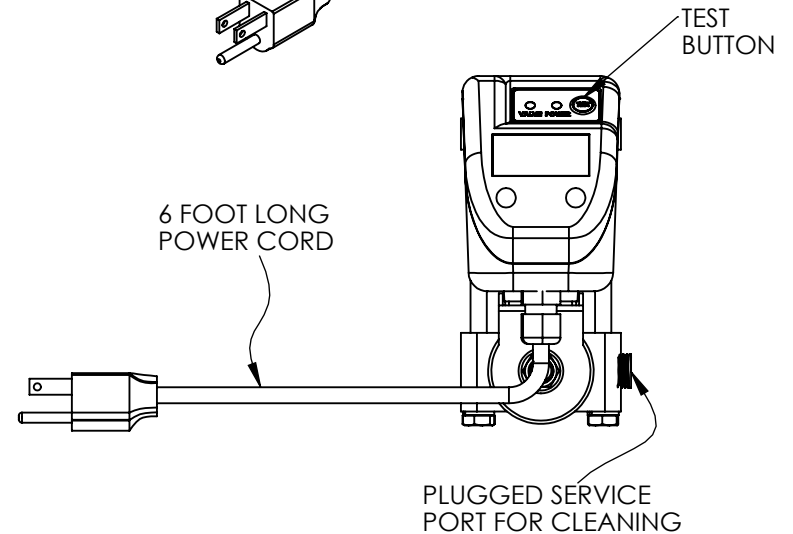
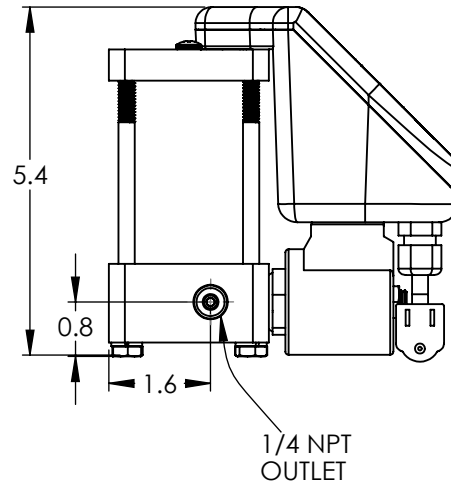
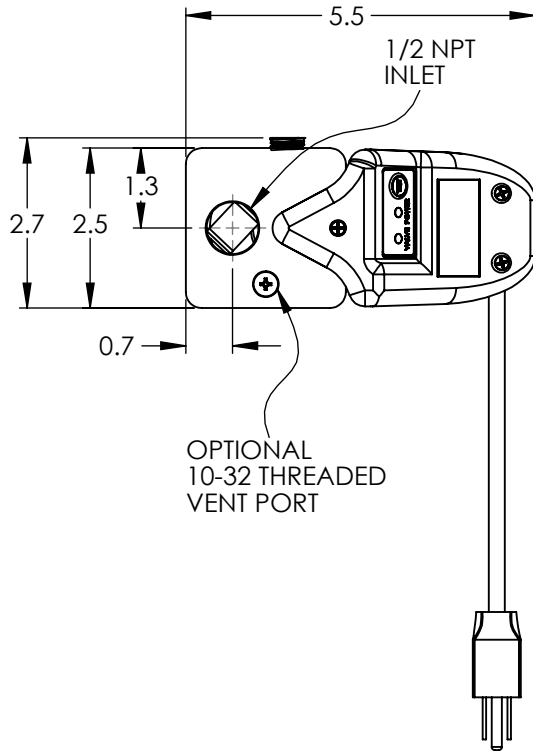
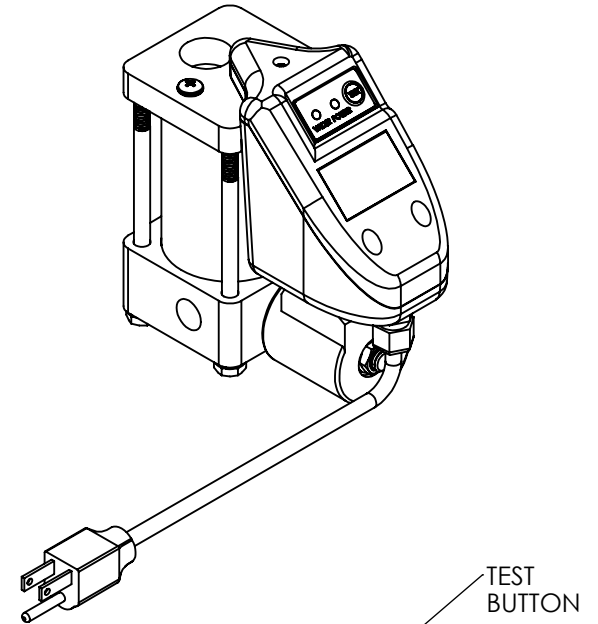


SPECIFICATIONS:

MAX PRESSURE: 200 PSI
ELECTRICAL: 110VAC/60HZ/1 PHASE
TEMPERATURE: 32-180 DEG
WEIGHT: 2.6 LBS

MATERIALS

HEADS: ALUMINUM
PRESSURE VESSEL: COMPOSITE
VALVE: ALUMINUM/STAINLESS STEEL
FLOAT: STAINLESS STEEL



NOTE: ALL DIMENSIONS ARE IN INCHES UNLESS OTHERWISE NOTED

| | |
|--|---|
| DRAWN BY: ALK DATE: 8/09/23 | AIR SYSTEM PRODUCTS Lancaster, NY 14086 USA www.airsyspro.com |
| TITLE: ACD2 ACCU-DRAIN 2 DIMENSIONS | |
| DWG.: ACD2 | REV. - |